

# DELTA 1

D1.



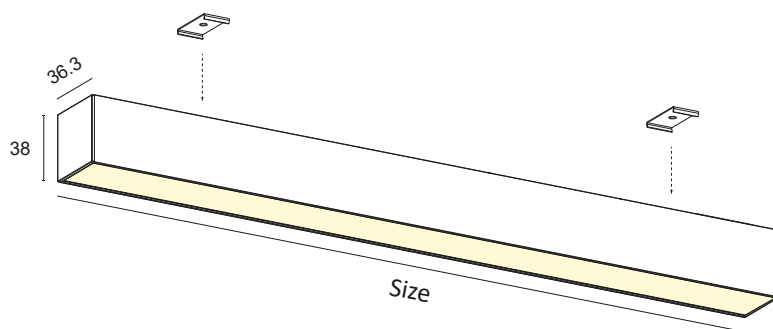
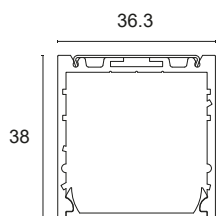
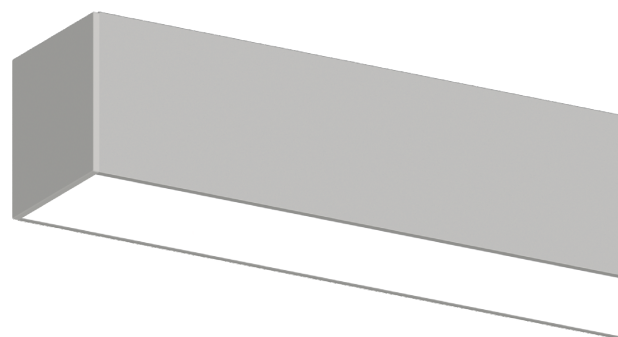
Decorated anodised aluminium lamp complete with brushed or microprismatic diffuser and high-brightness LED source with a high Lumen/Watt ratio. Suitable for primary residential, retail, large-space and general lighting. Mounting on ceiling with concealed clips.

Constant 24Vdc voltage supply  
Parallel connection, 50 cm cable

Constant voltage power supplies page 237

Dimming Accessories page 249

 **MADE IN ITALY**



**BASIC CODES**

**D1.**

**FINISHES**

- **1** White
  - **2** Matt black
  - **7** Brushed aluminium
- \*Other finishes on request.

**SIDE SUPPORTS**

- **1** White
- **2** Matt black
- **5** Grey
- **7** Brushed aluminium

**SIZE**

- C** 500mm
- D** 600mm
- E** 700mm
- F** 800mm
- G** 900mm
- H** 1000mm
- I** 1200mm
- J** 1300mm
- K** 1400mm
- L** 1500mm
- M** 1800mm
- N** 2000mm
- O** 2300mm
- P** 2500mm
- Q** 2800mm
- R** 3000mm

**LED COLOUR**

- **BN** 4000K
  - **BC** 3000K
  - **CC** 2700K
- \*Strip also available coloured, Dynamic White, RGB and RGBW.

**POWER**

<b>F</b>	20.2W/m	2500Lm/m	168LED/m	S2835	CRI>85	
<b>F+</b>	20.2W/m	2500Lm/m	168LED/m	S2835	CRI>90	
<b>G</b>	25W/m	3500Lm/m	160LED/m	S2835	CRI>80	
<b>L+</b>	28W/m	3500Lm/m	160LED/m	S2835	CRI>90	
<b>H</b>	30W/m	4500Lm/m	240LED/m	S2835	CRI>80	
<b>M+</b>	40W/m	5000Lm/m	480LED/m	S2835	CRI>90	

\*Energy class referring to light source

**DIFFUSER**

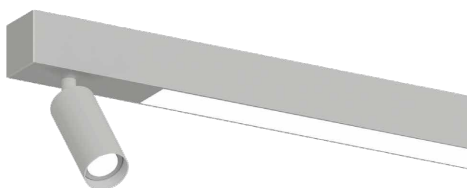
- M** MICROPRISMATIC
- S** BRUSHED

**Code example:**

DELTA 1 + White + Side supports white + 900mm + 3000K + 20.2W/m CRI>85 + Brushed diffuser = Code: D1.11GBCFS

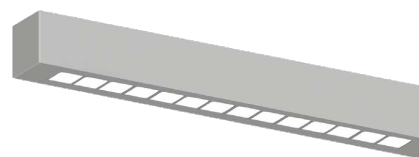
## COMPLEMENTARY SYSTEMS

**EXAMPLE OF DELTA CEILING LIGHT AND REM PROJECTOR**



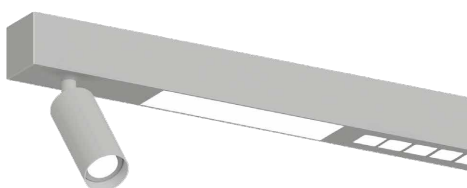
\*Details on p. 276

**EXAMPLE OF DELTA CEILING LIGHT AND DARK MODULE**



\*Details on p. 276

**EXAMPLE OF DELTA CEILING LIGHT, REM AND DARK MODULE**



\*Details on p. 276